

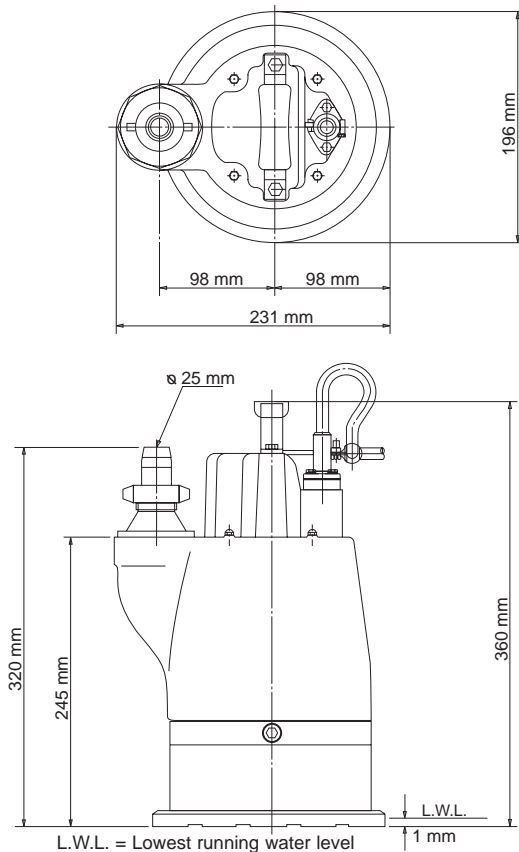


TSURUMI PUMP

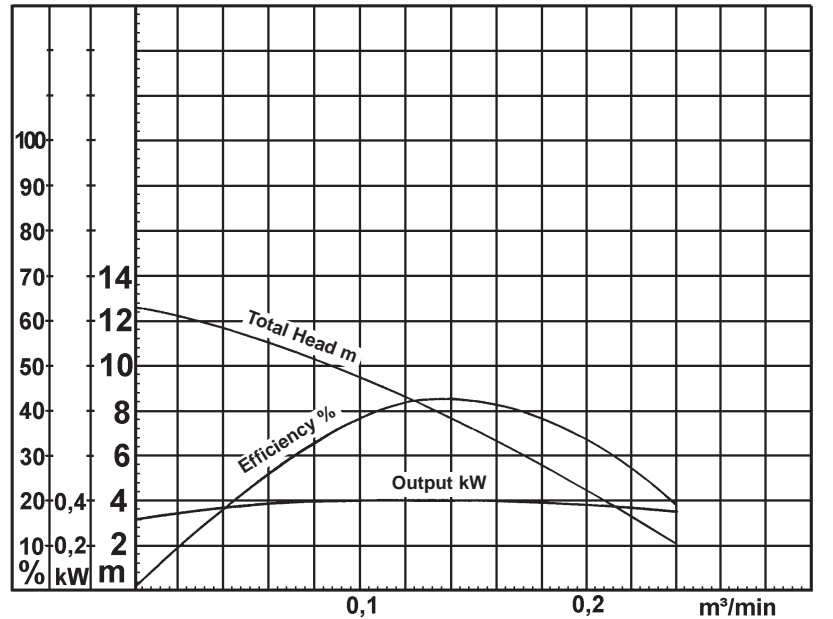
LSC-4

- data sheet
 - parts list
 - exploded view
 - dimensional drawing
 - sectional drawing
 - performance curve
-
- parts list as Excel-spreadsheet

Data Sheet LSC-4



LSC-4



LSC-4 (AE-01652)

Classification

Electric submersible pump
 Protection class IP68
 Depth of submersion max. 20m
 Open type impeller
 Max. solid handling 6mm
 Suitable for cleaning water, water on floor, puddles

Electric Motor

Dry-type submersible induction motor,
 Insulation class E, 2 poles, 2850 r.p.m.
 Capacitor start
 Voltage: 110V/230V, 50Hz, 1-phase
 Power input: 0,6kW
 Power output: 0,4kW
 Nominal current: 8,0A(110V) / 3,9A(230V)
 Start current: 28,0A(110V / 14,0A(230V))

Electric cable

10m HO7RN-F 3Cx1,5mm² (110V)
 10m HO7RN-F 3Cx1mm² (230V)

Motor Protection

Circle thermal cut-out
 (snap-action bi-metal device)

Shaft Seal

Double mechanical seal in oil bath
 Primary Seal:
 silicon carbide on ceramic
 Secondary seal:
 ceramic on carbon

Bearings

Shielded ball bearings, maintenance-free

Materials

Impeller:	Sintered alloy
Casing:	FC200 (EN-GJL-200)
Suction Cover:	Steel plate
Motor frame:	Steel plate
Outer cover:	Aluminium alloy casting
Shaft:	SUS403 (EN-X6Cr13)

Discharge Connection

1" (25mm) hose coupling

Weight

14 kg (dry weight of the pump without cable)

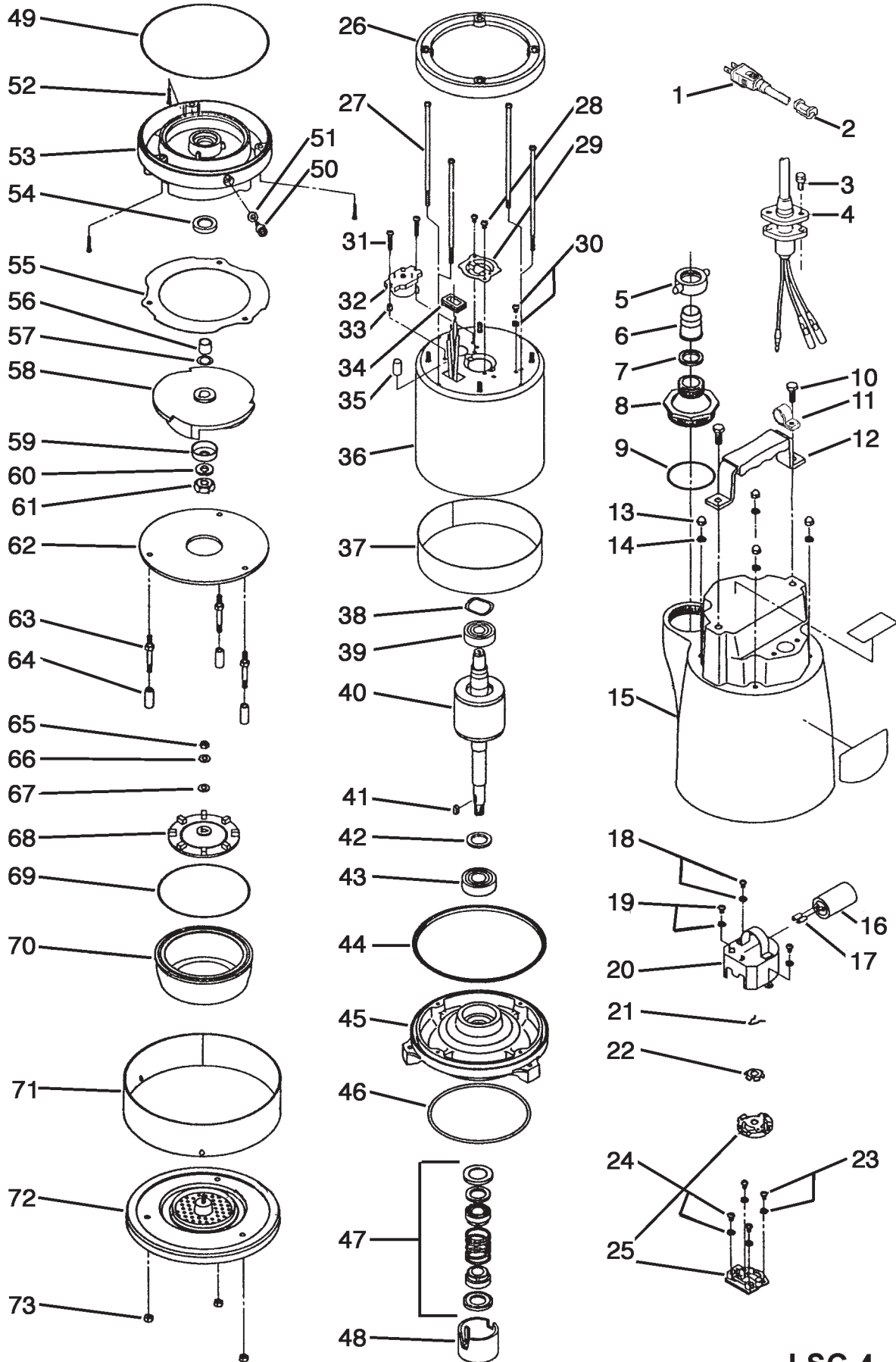
LSC-4

Control No. ILS-1-4-1

04.01.2005

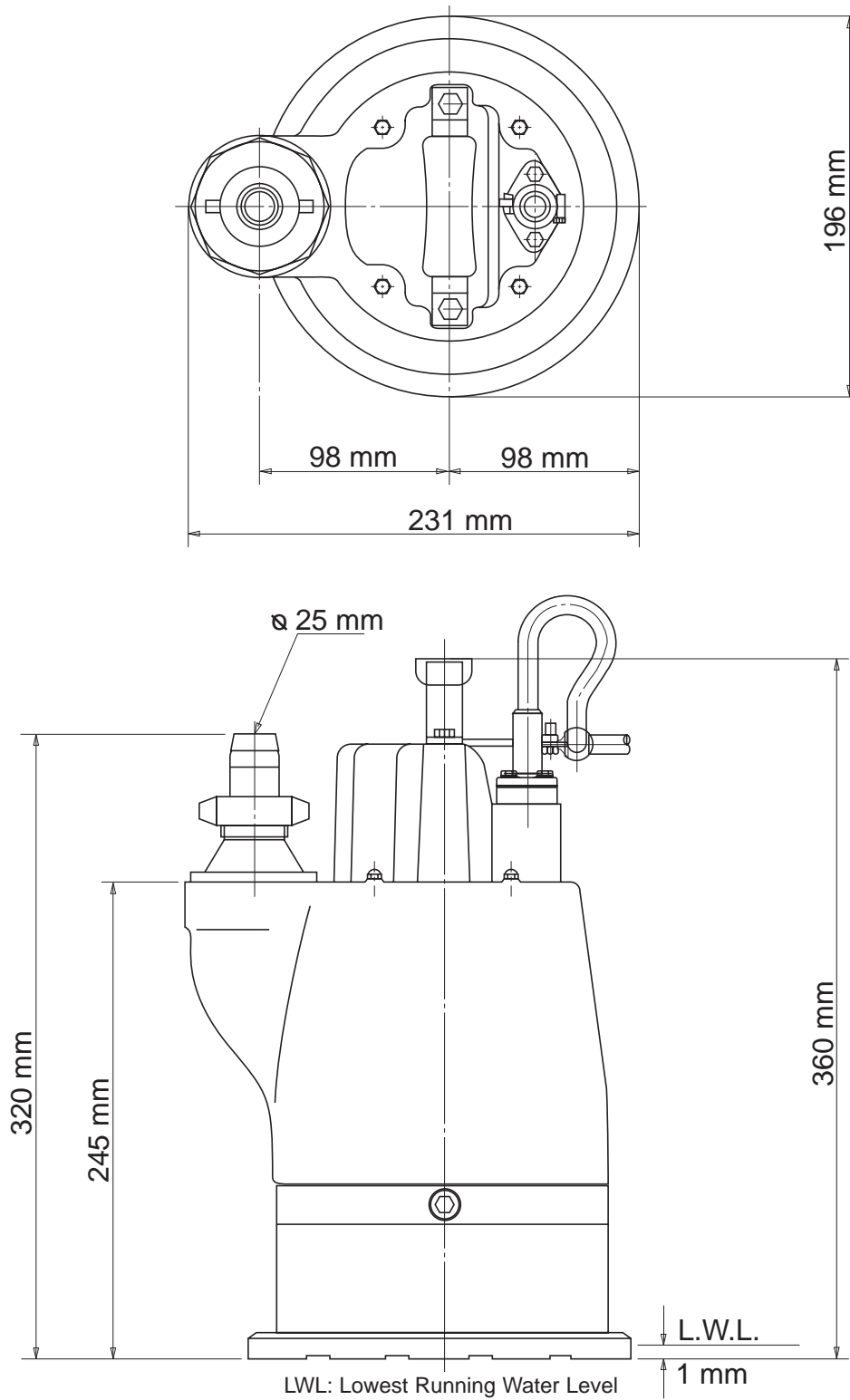
ITEM	CODE No.	DESCRIPTION	Q'TY	SIZE	MATERIAL	PRICE(Yen)	REMARKS
1	001-453-18	Cabtyre Cable Set	10 m	H07RN3X*1mm ² (w/ plug)	HAR		230V
1	001-873-18	Cabtyre Cable Set	10 m	H07RN3X*1,5mm ² (w/o plug)	HAR		110V
2	010-126-17	Cable Clip Rubber	1	HS2	NBR		
3	140-427-17	Hex. Bolt (w/Plain Washer)	2	M5x15	SUS304		
4	003-100-13	Gland	1		SUS304		
5	128-109-12	Union	1	PF-1"	ADC		
6	032-236-19	Hose Coupling	1	1"	ADC		
7	121-210-16	Packing	1	TE-25R	NBR		*
8	037-222-17	Discharge Pipe	1	PF-2"/PF-1"	FC		
9	122-121-12	O-Ring	1	G-50	NBR		*
10	140-033-12	Hex. Bolt	2	M6x16	SUS304		
11	010-130-14	Cable Clip	1	HK2-4/15	SPC		
12	068-164-32	Handle	1	S-400K	SPC+NBR		
13	141-028-17	Hex. Cap Nut	5	M5	SUS304		
14	142-125-18	Plain Washer	4	M5	SUS304		
15	065-194-29	Outer Cover	1	LSC-4	ADC		
16	076-000-09	Capacitor	1	120MFD-125VAC	(T)		
17		Sleeve	1 Set		PVC		
18	143-085-21	Cross-Recessed Pan Screw	1	M4x6	SWRM		
19	143-085-21	Cross Recessed Pan Screw	2	M4x6	SWRM		
20	078-102-17	Centrifugal Switch Cover	1	LB-400(E)	SPC		
21	145-002-17	Snap Retainer	1	ø10	SUS304		
22	142-207-15	Finger Spring	1	ø 10,5	SK-5		
23	143-085-21	Cross Recessed Pan Screw	2	M4x6	SWRM		
24	143-076-29	Cross Recessed Pan Screw	2	M3x6	SWRM		
25	077-109-11	Centrifugal Switch	1 Set	MS-3-2			
26	121-249-14	Packing	1	LB-400(E)	NBR		*
27	143-093-19	Pan Screw	4	M5x125	SWRM		
28	143-124-10	Pan Screw (w/Spring Washer)	2	M4x6	SWRM		
29	062-185-15	Bearing Fixing Plate	1	LB	SECC		
30	143-085-21	Cross Recessed Pan Screw	1	M4x6	SWRM		
31	143-114-17	Cross Recessed Truss Screw	2	M4x16	SWRM		
32	053-221-16	Motor Protector 230V/50Hz	1	KA142-KPTL45	(H)		
33	071-174-19	Spacer	2	ø6x6lx0,5t	SPC		
34	016-110-16	Lead Wire Protection Bush	1	LB-400(E)	NBR		
35		Protection Tube	1	LB-400(E)			
36	056-651-18	Stator and Frame	1 Set				
37	071-173-18	Collar	1	32l	SECC		
38	142-192-16	Wave Washer	1	#6201	SK-5		
39	052-100-15	Bearing	1	6201ZZC3			
40	055-247-14	Rotor and Shaft	1 Set				
41	147-016-10	Impeller Key	1	4x4x10l	SUS		
42	061-157-15	Bearing Collar	1	ø15,1xø21x1,6t	SPC		
43	052-101-16	Bearing	1	6202ZZC3			
44	121-244-19	Packing	1	LB-400(E)	NBR		*
45	060-167-15	Bearing Housing	1		FC		
46	122-131-15	O-Ring	1	G-100	NBR		*
47	025-290-19	Mechanical Seal	1	W-14HL	SIC+CCBN		Oil (ISO VG2 220ml)
48	030-116-16	Oil Ring	1	LB	Resin		
49	122-274-11	O-Ring	1	ø10,3xø16x2t	PE-sheet		*
50	035-124-12	Oil Plug	1	M10x15	SUS304		
51	122-274-11	Packing	1	159,5xø2,5	NBR		*
52	140-040-12	Hex. Bolt	3	M6x40	SUS304		
53	020-644-17	Pump Casing	1	LB-480	FC		
54	026-100-14	Oil Seal	1	SC-15287	NBR		
55	120-100-19	Suction Cover Packing	1	LB-250/400	T-sheet		*
56	071-112-19	Shaft Sleeve	1	ø11xø14,8x11l	SUS430		
57	040-100-18	Impeller Shim		ø11,2xø17x0,3t	SUS304		
58	021-Q62-12	Impeller 50Hz	1	50Hz			
58	021-434-15	Impeller 60Hz	1	60 Hz			
59	047-108-20	Impeller Thread Protection Cover	1	No.1(ø10,5)	SUS304		
60	142-164-19	Spring Washer	1	M10	SUS304		
61	141-006-77	Hex. Nut	1	M10	S45C		
62	022-590-13	Suction Cover	1	LB-480	SPC		
63	144-101-14	Stud Bolt	3	M6x54	SUS403		
64	127-114-17	Support Pipe	3	1/8" x28,5l	SGP		
65	141-004-33	Hex. Nut	1	M6	S35C		
66	142-229-13	Plain Washer	1	M6	SUS304		
67	121-266-17	Packing	1	ø6xø16x1t	NBR		*
68	203-015-16	Swing Check Valve	1	LSC-4	SBR		
69	122-133-17	O-Ring	1	G-110	NBR		*
70	023-366-11	Suction Opening	1	LSC-4	NBR		
71	023-340-19	Strainer	1		SPC		
72	049-000-09	Bottom Plate	1	LSC-4	SPC+NBR		
73	141-004-33	Hex. Nut	3	M6	S35C		
*	173-005-17	Packing O-Ring Set	1 Set	(*)			

Exploded View LSC-4



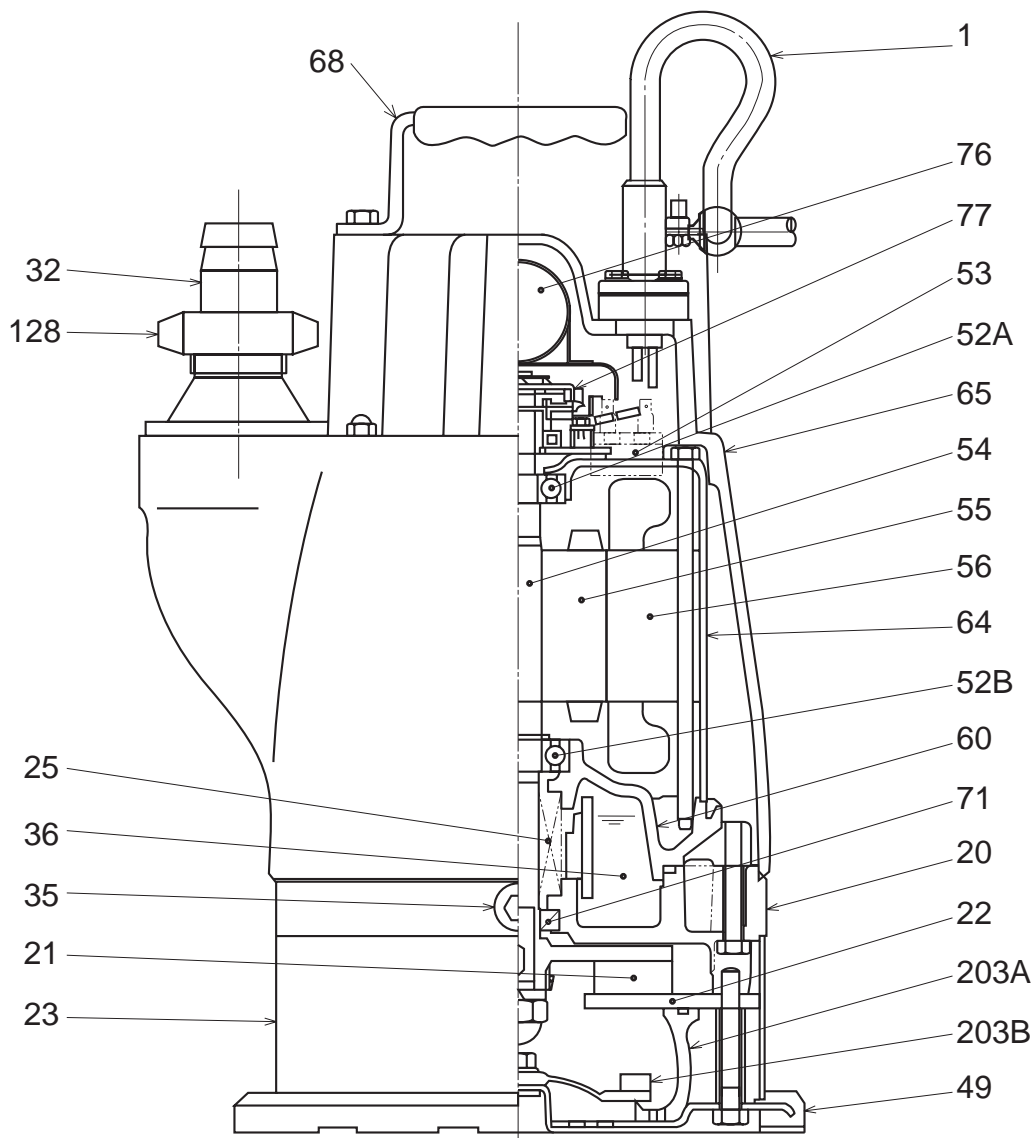
LSC-4

Dimensional Drawing LSC-4



LSC-4

Sectional Drawing LSC-4



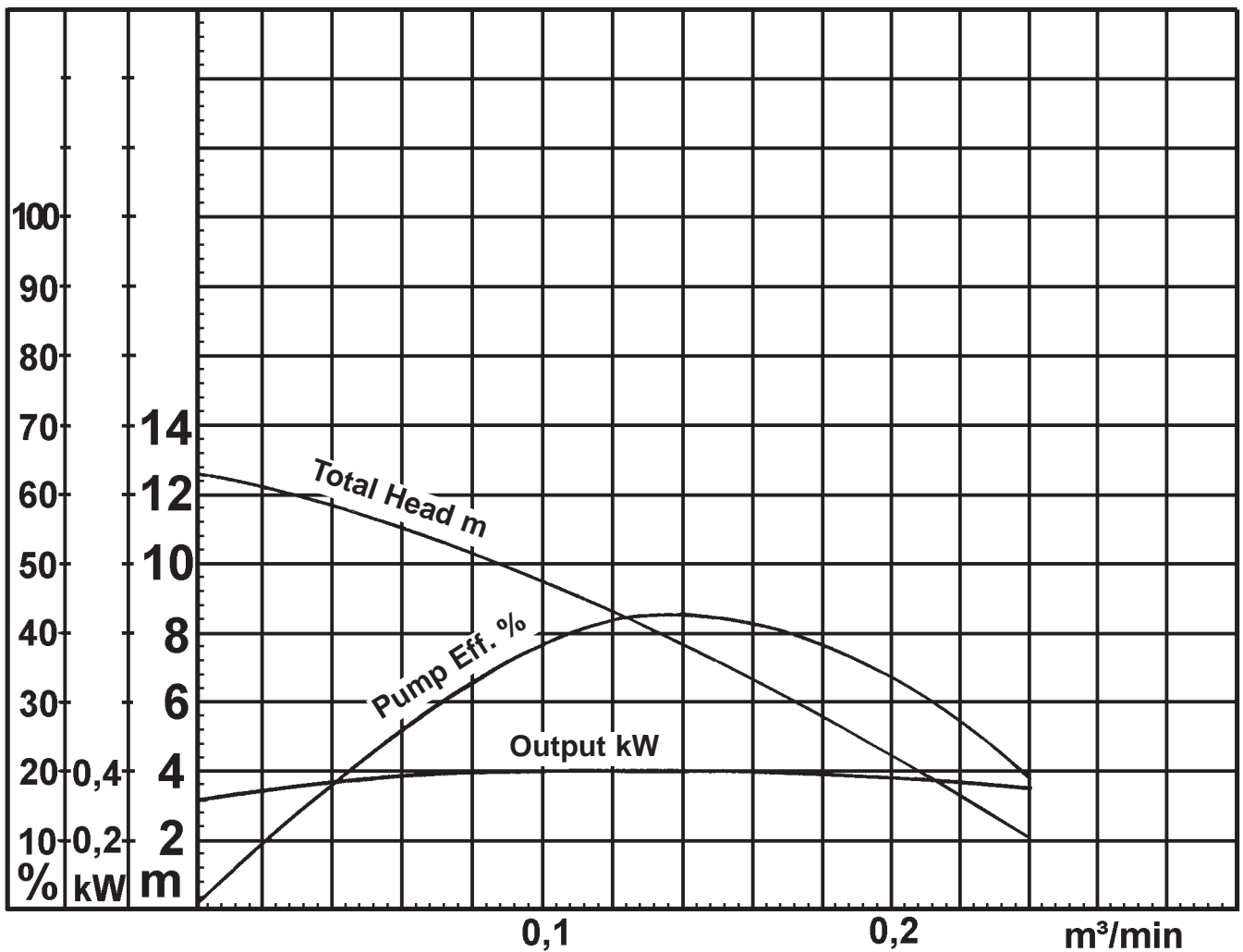
LSC-4

No.	Description	Qty.	Remarks	No.	Description	Qty.	Remarks
1	Cabtyre Cable	1	H07RN-F	54	Shaft	1	SUS403 (EN-X6Cr13)
20	Pump Casing	1	FC20 (EN-GJL-200)	55	Rotor	1	
21	Impeller	1	Sintered alloy	56	Stator Complete	1	
22	Suction Cover	1	Steel Plate	60	Bearing Housing	1	FC15 (EN-GJL-150)
23	Strainer	1	Steel Plate	64	Motor Frame	1	Steel Plate
25	Mechanical Seal	1	Silicon Carbide, W-14HL	65	Outer Cover	1	Aluminium Alloy Casting
26	Oil Seal	1	SC-15287	68	Handle	1	Steel Plate/Nitrile Butadiene Rubber
32	Hose Coupling	1	Aluminium Alloy Casting	71	Shaft Sleeve	1	SUS403 (EN-X6Cr13)
35	Oil Plug	1	SUS304 (EN-X5CrNi18-10)	76	Capacitor	1	
36	Lubricant		Turbine Oil (ISO VG32)	77	Centrifugal Switch	1	
49	Bottom Plate	1	Steel Plate/Nitrile Butadiene Rubber	128	Union	1	Aluminium Alloy Casting
52A	Upper Bearing	1	6201ZZC3	203A	Valve Sheet	1	Nitril Butadiene Rubber
52B	Lower Bearing	1	6202ZZC3	203B	Swing Check Valve	1	Steel Plate/Synthetic Butadiene Rubber
53	Motor Protector	1					

Pump Performance Curve

LSC-4

Discharge Bore	25 mm
Total Head	max. 11 m
Capacity	max. 0,24 m ³ /min
Motor Output	0,40 kW
Motor Input	0,60 kW
Phase	1
Voltage	110/230 V
Frequency	50 Hz
Rated Current	8,0/3,9 A
Starting Current	28,0/14,0 A
Poles	2
Revolution	S.S. 2850 r.p.m.
Starting Method	Capacitor
Insulation Class	E



LSC-4 (AE-01652)