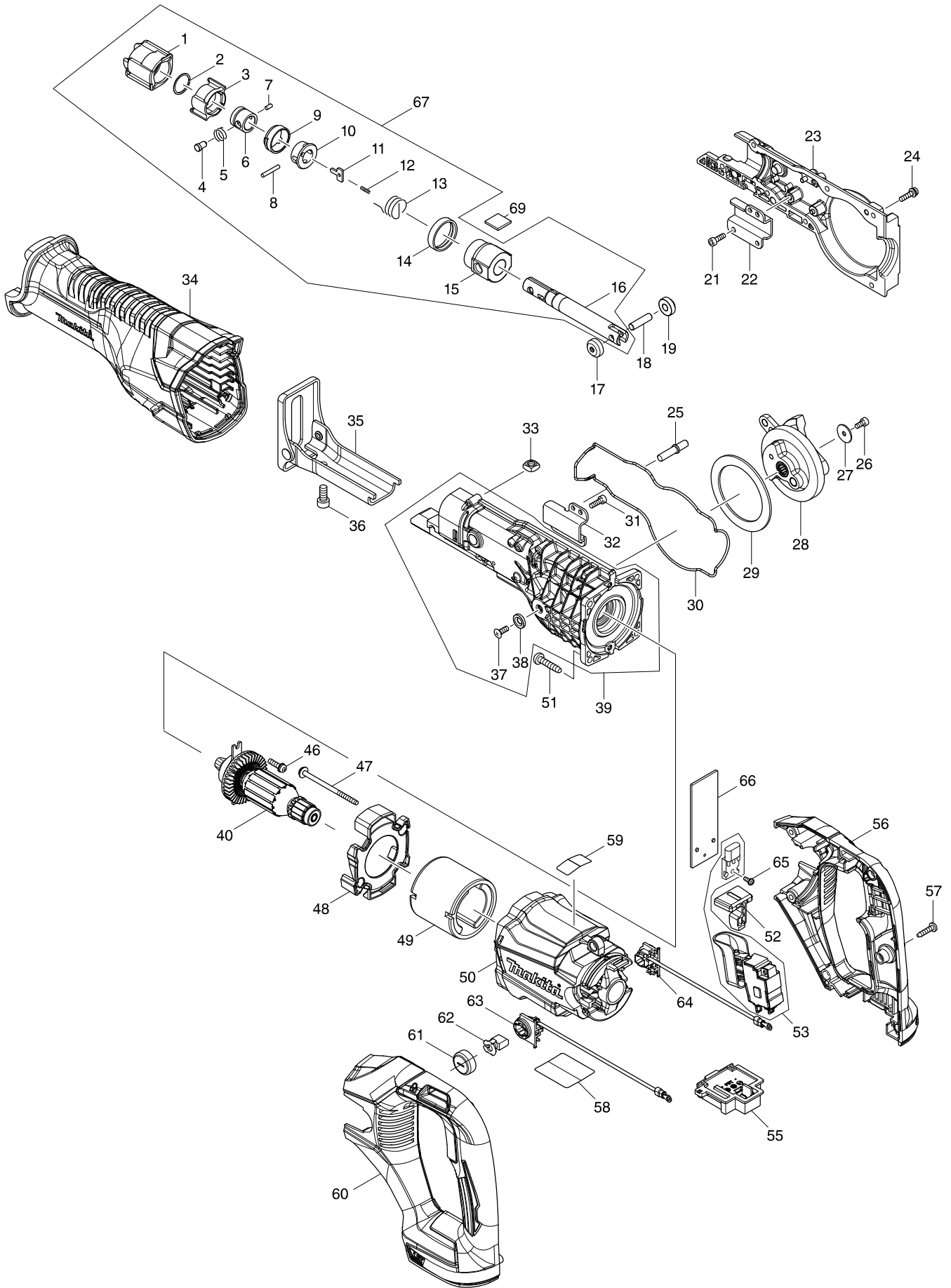


Model No. DJR186 CORDLESS RECIPRO SAW



Model No. DJR186 CORDLESS RECIPRO SAW

Item	Parts No.	Description	I/C	QTY	N/O	Opt. 1	Opt. 2	NOTE
001	424763-8	PROTECTOR		1				
002	257952-8	RETAINING RING (EXT) 18		1		100		
003	310662-9	DRIVING SLEEVE		1				
004	256569-4	SHOULDER PIN 5		1				
005	234381-2	COMPRESSION SPRING 6		1				
006	331720-8	GUIDE SLEEVE		1		100		
007	268094-3	PIN 3		1		100		
008	256158-5	PIN 3		1		100		
009	417791-0	DRIVING SLEEVE GUIDE		1		100		
010	418311-3	SLEEVE		1		100		
011	345214-7	PUSH PLATE		1		100		
012	233025-1	COMPRESSION SPRING 2		1		100		
013	231687-9	TORSION SPRING 17		1		100		
014	424762-0	RUBBER RING		1				
015	143365-8	SLIDER GUIDE COMPLETE		1				
C10	213151-2	OIL SEAL 14		1		100		
C20	213174-0	X RING 14		1		100		
016	161376-1	SLIDER		1				
017	310663-7	ROLLER		1				
018	268341-2	PIN 6		1				
019	310663-7	ROLLER		1				
021	922117-8	HEX. SOCKET HEAD BOLT M4X12		2	*	100		
021-1	265353-6	HEX. SOCKET HEAD BOLT M4X12	<	2		100		
022	346936-2	ROD GUIDE R		1				
023	143381-0	GEAR HOUSING R COMPLETE		1				
024	911128-8	P.H.SCREW M4X16 WITH WR		7		100		
025	256567-8	SHOULDER PIN 6-8		1				
026	922107-1	HEX. SOCKET HEAD BOLT M4X8		1	*	100		
026-1	265911-8	HEX. SOCKET HEAD BOLT M4X8	<	1		155		
027	267491-0	FLAT WASHER 4		1				
028	143377-1	GEAR COMPLETE		1				
029	267490-2	FLAT WASHER 54		1				
030	424764-6	SEAL RING		1				
031	922117-8	HEX. SOCKET HEAD BOLT M4X12		2	*	100		
031-1	265353-6	HEX. SOCKET HEAD BOLT M4X12	<	2		100		
032	346935-4	ROD GUIDE L		1				
033	252157-5	SQUARE NUT M6		1		100		
034	424768-8	INSULATION COVER		1				
035	161375-3	SHOE		1				
036	265531-8	HEX.SOCKET HEAD BOLT M6X14		1		100		
037	912112-6	COUNTERSUNK HEAD SCREW M4X10		1	*	100		
037-1	265135-6	+ COUNTERSUNK HEAD SCREW M4X10	<	1		100		
038	253825-3	FLAT WASHER 6		1		100		
039	123511-9	GEAR HOUSING L ASSEMBLY		1	*			
D10		INC. 37,38			*			
039-1	126678-2	GEAR HOUSING L ASSEMBLY	<	1				
D10		INC. 37,38						
040	519392-1	ARMATURE ASS'Y 18V		1				

Model No. DJR186 CORDLESS RECIPRO SAW

Item	Parts No.	Description	I/C	QTY	N/O	Opt. 1	Opt. 2	NOTE
C10	961055-9	RETAINING RING S-15		1		100		
C20	211247-3	BALL BEARING 6002DDW		1				
C30	227650-8	SPIRAL BEVEL GEAR 7		1				
C40	285740-3	BEARING RETAINER 66		1				
C50	210062-2	BALL BEARING 607ZZ		1		100		
D10		INC. 41-45			*			
041	961055-9	RETAINING RING S-15		1	*	100		
042	211247-3	BALL BEARING 6002DDW		1	*			
043	227650-8	SPIRAL BEVEL GEAR 7		1	*			
044	285740-3	BEARING RETAINER 66		1	*			
045	210062-2	BALL BEARING 607ZZ		1	*	100		
046	911128-8	P.H.SCREW M4X16 WITH WR		2		100		
047	266292-3	TAPPING SCREW 4X65		2		100		
048	456207-0	BAFFLE PLATE		1				
049	638571-3	YOKE UNIT		1		100		
050	456206-2	MOTOR HOUSING		1				
051	266041-8	TAPPING SCREW 5X25		4		100		
052	456208-8	LOCK OFF BUTTON		1				
053	650760-0	SWITCH TG573FSB-9V		1	*			
053-1	650760-0	SWITCH TG573FSB-9V	O	1				
055	644808-8	TERMINAL		1	*	100		
055-1	644809-6	TERMINAL	S	1				
056	183C48-6	HANDLE SET		1	*			
C10	263005-3	RUBBER PIN 6		2	*	100		
D10		INC. 60			*			
056-1	183C49-4	HANDLE SET	S	1				
C10	263005-3	RUBBER PIN 6		2		100		
D10		INC. 60						
057	266326-2	TAPPING SCREW 4X18		6		100		
058	851R04-1	DJR186 NAME PLATE		1				
060	183C48-6	HANDLE SET		1	*			
C10	263005-3	RUBBER PIN 6		2	*	100		
D10		INC. 56			*			
060-1	183C49-4	HANDLE SET	S	1				
C10	263005-3	RUBBER PIN 6		2		100		
D10		INC. 56						
061	643829-7	HOLDER CAP		2		100		
062	194435-6	CARBON BRUSH CB-441		1		100		
063	643507-9	BRUSH HOLDER		1				
064	643508-7	BRUSH HOLDER		1				
065	911011-9	PAN HEAD SCREW M3X10		1		100		
066	689204-3	HEAT SINK		1				
067	123510-1	SLIDER ASSEMBLY		1				
D10		INC. 1-16						
068	688131-1	LINE FILTER		1		100		
069	424858-7	FELT 16X16		1				
A01	B-05169	RECIPROSAWBLADE FOR METAL		1				
A02	B-05175	RECIPROSAWBLADE FOR WOOD		1				

Model No. DJR186 CORDLESS RECIPRO SAW

Item	Parts No.	Description	I/C	QTY	N/O	Opt. 1	Opt. 2	NOTE
A03B	821620-5	PLASTIC CARRYING CASE		1				
C10	162271-8	LATCH		2		100		
A03D	821620-5	PLASTIC CARRYING CASE		1				
C10	162271-8	LATCH		2		100		
A03E	821620-5	PLASTIC CARRYING CASE		1				
C10	162271-8	LATCH		2		100		
A04B	808A62-6	DJR186RME PLASTIC CASE LABEL		2				
A04D	808A68-4	DJR186RFE PLASTIC CASE LABEL		2				
A04E	808A73-1	DJR186RTE PLASTIC CASE LABEL		2				
A05B	450128-8	BATTERY COVER		1				
A05D	450128-8	BATTERY COVER		1				
A05E	450128-8	BATTERY COVER		1				
A06B	***DC18RC	DC18RC FAST CHARGER		1				
D10		COMPO-PARTS						
A06D	***DC18RC	DC18RC FAST CHARGER		1				
D10		COMPO-PARTS						
A06E	***DC18RC	DC18RC FAST CHARGER		1				
D10		COMPO-PARTS						
A07B	197265-4	BATTERY BL1840B SET		2				
A07D	194204-5	BATTERY BL1830 SET		2	*			
A07E	197280-8	BATTERY BL1850B SET		2				
A07-1D	197600-6	BATTERY BL1830B SET	<	2				