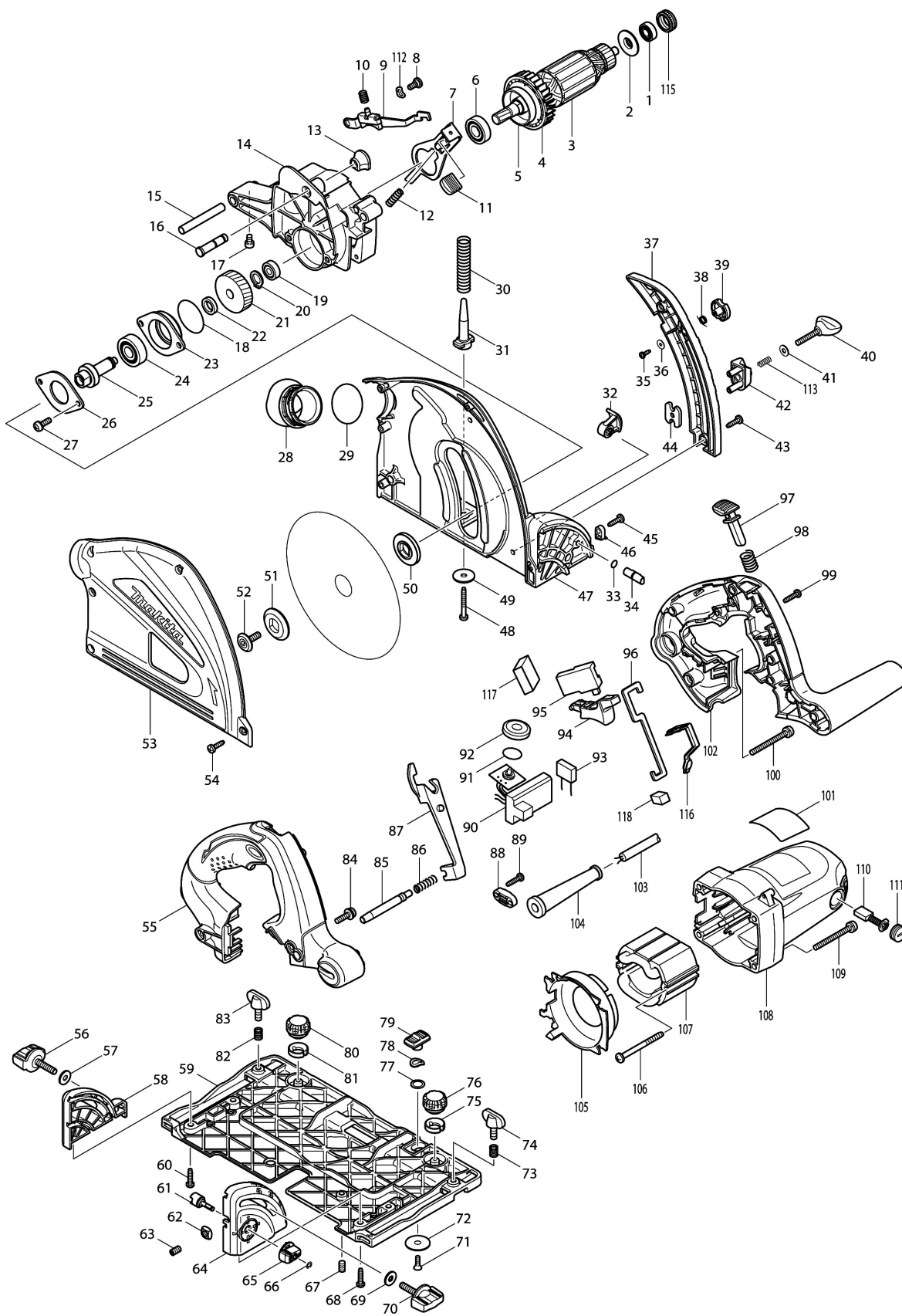


Model No.SP6000 PLUNGE CUT CIRCULAR SAW 165MM



Model No.SP6000 PLUNGE CUT CIRCULAR SAW 165MM

Item	Parts No.	Description	I/C	QTY	New/Old	Opt. 1	Opt. 2	NOTE
001	210013-5	BALL BEARING 698VV		1		100		
002	681634-4	INSULATION WASHER		1		100		
003A	513676-9	ARMATURE ASS'Y 115V		1		151		
003B	513678-5	ARMATURE ASS'Y 220-240V		1		151		
003C	513676-9	ARMATURE ASS'Y 115V		1		151		
003D	513678-5	ARMATURE ASS'Y 220-240V		1		151		
003E	513676-9	ARMATURE ASS'Y 115V		1		151		
003F	513678-5	ARMATURE ASS'Y 220-240V		1		151		
D10		INC. 1,2,4-6						
004	240091-1	FAN 60		1		100		
005	345767-6	DRUM		1		100		
006	211131-2	BALL BEARING 6001DDW		1		100		
007	345742-2	SHAFT LOCK		1		100		
008	265011-4	+ BINDING HEAD SCREW M5		1		100		
009	158096-6	SHOE COMPLETE		1		100		
010	233480-7	COMPRESSION SPRING 7		1		100		
011	286275-7	CAP		1	*	100		
011-1	286039-9	CAP	<	1				
012	233084-5	COMPRESSION SPRING 6		1		100		
013	286278-1	CAP		1	*	100		
013-1	286040-4	CAP	<	1				
014	158092-4	GEAR HOUSING COMPLETE		1	*	100		
C10	263002-9	RUBBER PIN 4		1	*	100		
014-1	144586-5	GEAR HOUSING COMPLETE	O	1				
C10	263002-9	RUBBER PIN 4		1		100		
015	324716-6	PIN 8		1	*	100		
015-1	326960-1	PIN 8	S	1	*			
015-2	324716-6	PIN 8	<	1		100		
016	324708-5	STOPPER PIN 8		1		100		
017	265913-4	HEX. SOCKET HEAD BOLT M5X8		1	*	100		
017-1	265907-9	HEX. SOCKET HEAD BOLT M5X10	S	1		100		
018	213512-6	O RING 39		1		100		
019	211021-9	BALL BEARING 607LLB		1		100		
020	961052-5	RETAINING RING S-12		1		100		
021	226637-7	HELICAL GEAR 39		1		100		
022	257010-0	RING 12		1		100		
023	318088-9	BEARING BOX		1		100		
024	211129-9	BALL BEARING 6201DDW		1		100		
025	324707-7	SPINDLE		1		100		
026	285689-7	BEARING RETAINER 55		1		100		
027	911221-8	PAN HEAD SCREW M5X16		2		100		
028	419620-3	DUST NOZZLE		1		100		
029	213460-9	O RING 35		1		100		
030	233479-2	COMPRESSION SPRING 11		1		100		

Please order the parts with part number.

Print Date 11/3/2019

Model No.SP6000 PLUNGE CUT CIRCULAR SAW 165MM

Item	Parts No.	Description	I/C	QTY	New/Old	Opt. 1	Opt. 2	NOTE
031	419624-5	SPRING HOLDER		1		100		
032	158095-8	LEVER 20 COMPLETE		1	*	100		
C10	263002-9	RUBBER PIN 4		1	*	100		
032-1	144867-7	LEVER 20 COMPLETE	<	1				
C10	263002-9	RUBBER PIN 4		1		100		
033	213021-5	O RING 5		1		100		
034	324710-8	PIN 8		1		100		
035	266007-8	TAPPING SCREW BIND PT 3X10		1		100		
036	253821-1	FLAT WASHER 3		1		100		
037	419625-3	DEPTH GUIDE		1	*	100		
037-1	457756-0	DEPTH GUIDE	O	1				
038	231665-9	TORSION SPRING 7		1		100		
039	419630-0	LOCK LEVER		1		100		
040	251867-1	THUMB SCREW M5X30		1		100		
041	941101-4	FLAT WASHER 5		1	*	100		
041-1	253414-4	FLAT WASHER 5	O	1				
042	419623-7	STOPPER BLOCK		1		100		
043	266034-5	TAPPING SCREW CT 4X16		2		100		
044	345744-8	NUT PLATE		1		100		
045	266034-5	TAPPING SCREW CT 4X16		1		100		
046	419632-6	POSITION PLATE		1		100		
047A	158093-2	BLADE CASE COMPLETE		1	*	100		
C10	233025-1	COMPRESSION SPRING 2		1	*	100		
C20	253874-0	FLAT WASHER 4		1	*	100		
C30	259008-3	PUSH NUT 4		1	*	100		
C40	286277-3	CAP 14		1	*	100		
C50	345747-2	SPACER PLATE		1	*	100		
047B	158093-2	BLADE CASE COMPLETE		1	*	100		
C10	233025-1	COMPRESSION SPRING 2		1	*	100		
C20	253874-0	FLAT WASHER 4		1	*	100		
C30	259008-3	PUSH NUT 4		1	*	100		
C40	286277-3	CAP 14		1	*	100		
C50	345747-2	SPACER PLATE		1	*	100		
047C	158093-2	BLADE CASE COMPLETE		1	*	100		
C10	233025-1	COMPRESSION SPRING 2		1	*	100		
C20	253874-0	FLAT WASHER 4		1	*	100		
C30	259008-3	PUSH NUT 4		1	*	100		
C40	286277-3	CAP 14		1	*	100		
C50	345747-2	SPACER PLATE		1	*	100		
047D	158093-2	BLADE CASE COMPLETE		1	*	100		
C10	233025-1	COMPRESSION SPRING 2		1	*	100		
C20	253874-0	FLAT WASHER 4		1	*	100		
C30	259008-3	PUSH NUT 4		1	*	100		
C40	286277-3	CAP 14		1	*	100		
C50	345747-2	SPACER PLATE		1	*	100		

Please order the parts with part number.

Print Date 11/3/2019

Model No.SP6000 PLUNGE CUT CIRCULAR SAW 165MM

Item	Parts No.	Description	I/C	QTY	New/Old	Opt. 1	Opt. 2	NOTE
047-1A	158547-9	BLADE CASE COMPLETE	S	1	*	100		
C10	233025-1	COMPRESSION SPRING 2		2	*	100		
C20	253874-0	FLAT WASHER 4		2	*	100		
C30	259008-3	PUSH NUT 4		2	*	100		
C40	286277-3	CAP 14		2	*	100		
C50	345747-2	SPACER PLATE		2	*	100		
047-1B	158547-9	BLADE CASE COMPLETE	S	1	*	100		
C10	233025-1	COMPRESSION SPRING 2		2	*	100		
C20	253874-0	FLAT WASHER 4		2	*	100		
C30	259008-3	PUSH NUT 4		2	*	100		
C40	286277-3	CAP 14		2	*	100		
C50	345747-2	SPACER PLATE		2	*	100		
047-1C	158547-9	BLADE CASE COMPLETE	S	1	*	100		
C10	233025-1	COMPRESSION SPRING 2		2	*	100		
C20	253874-0	FLAT WASHER 4		2	*	100		
C30	259008-3	PUSH NUT 4		2	*	100		
C40	286277-3	CAP 14		2	*	100		
C50	345747-2	SPACER PLATE		2	*	100		
047-1D	158547-9	BLADE CASE COMPLETE	S	1	*	100		
C10	233025-1	COMPRESSION SPRING 2		2	*	100		
C20	253874-0	FLAT WASHER 4		2	*	100		
C30	259008-3	PUSH NUT 4		2	*	100		
C40	286277-3	CAP 14		2	*	100		
C50	345747-2	SPACER PLATE		2	*	100		
047-1E	158547-9	BLADE CASE COMPLETE		1	*	100		
C10	233025-1	COMPRESSION SPRING 2		2	*	100		
C20	253874-0	FLAT WASHER 4		2	*	100		
C30	259008-3	PUSH NUT 4		2	*	100		
C40	286277-3	CAP 14		2	*	100		
C50	345747-2	SPACER PLATE		2	*	100		
047-1F	158547-9	BLADE CASE COMPLETE		1	*	100		
C10	233025-1	COMPRESSION SPRING 2		2	*	100		
C20	253874-0	FLAT WASHER 4		2	*	100		
C30	259008-3	PUSH NUT 4		2	*	100		
C40	286277-3	CAP 14		2	*	100		
C50	345747-2	SPACER PLATE		2	*	100		
047-2	144868-5	BLADE CASE COMPLETE	<	1	*			
C10	233025-1	COMPRESSION SPRING 2		2	*	100		
C20	253874-0	FLAT WASHER 4		2	*	100		
C30	259008-3	PUSH NUT 4		2	*	100		
C40	286277-3	CAP 14		2	*	100		
C41	286041-2	CAP 14	<	2	*			
C50	345747-2	SPACER PLATE		2	*	100		
047-3	140D56-6	BLADE CASE COMPLETE	O	1				
C10	233025-1	COMPRESSION SPRING 2		2		100		

Please order the parts with part number.

Print Date 11/3/2019

Model No.SP6000 PLUNGE CUT CIRCULAR SAW 165MM

Item	Parts No.	Description	I/C	QTY	New/Old	Opt. 1	Opt. 2	NOTE
C20	253874-0	FLAT WASHER 4		2	*	100		
C21	347392-9	PLATE	O	2				
C30	259008-3	PUSH NUT 4		2		100		
C41	286041-2	CAP 14	<	2				
C50	345747-2	SPACER PLATE		2		100		
048	266053-1	TAPPING SCREW 4X35		1		100		
049	253010-8	FLAT WASHER 6		1		100		
050	224406-0	INNER FLANGE 35		1	*	100		
050-1	224593-5	INNER FLANGE 35	O	1				
051	224405-2	OUTER FLANGE 35		1	*	100		
051-1	224409-4	OUTER FLANGE 35	O	1		100		
052	266403-0	HEX. SOCKET HEAD BOLT M6		1		100		
053	318084-7	BLADE CASE COVER		1	*	100		
053-1	319709-6	BLADE CASE COVER	S	1				
054	266034-5	TAPPING SCREW CT 4X16		5		100		
055	188197-6	HANDLE SET		1		100		
D10		INC. 102						
056	265776-8	THUMB SCREW M6X26		1		100		
057	253111-2	FLAT WASHER 6		1		100		
058	419596-4	REAR ANGULAR GUIDE		1		100		
059A	318085-5	BASE		1	*	100		
059B	318085-5	BASE		1	*	100		
059C	318085-5	BASE		1	*	100		
059D	318085-5	BASE		1	*	100		
059-1A	318179-6	BASE	S	1		100		
059-1B	318179-6	BASE	S	1		100		
059-1C	318179-6	BASE	S	1		100		
059-1D	318179-6	BASE	S	1		100		
059-1E	318179-6	BASE		1		100		
059-1F	318179-6	BASE		1		100		
060	265995-6	TAPPING SCREW 4X18		2		100		
061	324731-0	STOPPER PIN		1		100		
062	252157-5	SQUARE NUT M6		1		100		
063	266085-8	H.S.SET SCREW(FLAT POINT) M6X10		1	*	100		
063-1	266225-8	H.S.SET SCREW(FLAT POINT) M6X8	<	1		100		
064	419595-6	FRONT ANGULAR GUIDE		1		100		
065	419571-0	DIAL 22		1	*	100		
065-1	457963-5	DIAL 22	<	1				
066	961017-7	STOP RING E-3		1		100		
067A	266085-8	H.S.SET SCREW(FLAT POINT) M6X10		1	*	100		
067B	266085-8	H.S.SET SCREW(FLAT POINT) M6X10		1	*	100		
067C	266085-8	H.S.SET SCREW(FLAT POINT) M6X10		1	*	100		
067D	266085-8	H.S.SET SCREW(FLAT POINT) M6X10		1	*	100		

Please order the parts with part number.

Print Date 11/3/2019

Model No.SP6000 PLUNGE CUT CIRCULAR SAW 165MM

Item	Parts No.	Description	I/C	QTY	New/Old	Opt. 1	Opt. 2	NOTE
067-1A	266085-8	H.S.SET SCREW(FLAT POINT) M6X10	S	2	*	100		
067-1B	266085-8	H.S.SET SCREW(FLAT POINT) M6X10	S	2	*	100		
067-1C	266085-8	H.S.SET SCREW(FLAT POINT) M6X10	S	2	*	100		
067-1D	266085-8	H.S.SET SCREW(FLAT POINT) M6X10	S	2	*	100		
067-1E	266085-8	H.S.SET SCREW(FLAT POINT) M6X10		2	*	100		
067-1F	266085-8	H.S.SET SCREW(FLAT POINT) M6X10		2	*	100		
067-2	266225-8	H.S.SET SCREW(FLAT POINT) M6X8	<	2		100		
068	265995-6	TAPPING SCREW 4X18		2		100		
069	253111-2	FLAT WASHER 6		1		100		
070	265776-8	THUMB SCREW M6X26		1		100		
071	912112-6	COUNTERSUNK HEAD SCREW M4X10		1		100		
072	345748-0	LOCK WASHER		1		100		
073	231316-4	COMPRESSION SPRING 7		1		100		
074	265701-9	THUMB SCREW M6X14		1		100		
075	419627-9	HOLDER		1		100		
076	265775-0	THUMB SCREW M4X3		1		100		
077A	267070-4	FLAT WASHER 10		1	*	100		
077B	267070-4	FLAT WASHER 10		1	*	100		
077C	267070-4	FLAT WASHER 10		1	*	100		
077D	267070-4	FLAT WASHER 10		1	*	100		
077-1A	345977-5	PLATE	<	1		100		
077-1B	345977-5	PLATE	<	1		100		
077-1C	345977-5	PLATE	<	1		100		
077-1D	345977-5	PLATE	<	1		100		
077-1E	345977-5	PLATE		1		100		
077-1F	345977-5	PLATE		1		100		
078	253932-2	WAVE WASHER 10		1		100		
079	419621-1	SLIDE LEVER		1	*	100		
079-1	458092-7	SLIDE LEVER	<	1				
080	265775-0	THUMB SCREW M4X3		1		100		
081	419627-9	HOLDER		1		100		
082	231316-4	COMPRESSION SPRING 7		1		100		
083	265701-9	THUMB SCREW M6X14		1		100		
084	922232-8	HEX. SOCKET HEAD BOLT M5X20		1		100		
085	324709-3	LOCK PIN 8		1		100		
086	233267-7	COMPRESSION SPRING 7		1		100		
087	419631-8	LOCK PLATE		1		100		
088A	687053-2	STRAIN RELIEF		1		100		
088B	687052-4	STRAIN RELIEF		1		100		
088C	687053-2	STRAIN RELIEF		1		100		
088D	687052-4	STRAIN RELIEF		1		100		
088E	687053-2	STRAIN RELIEF		1		100		

Please order the parts with part number.

Print Date 11/3/2019

Model No.SP6000 PLUNGE CUT CIRCULAR SAW 165MM

Item	Parts No.	Description	I/C	QTY	New/Old	Opt. 1	Opt. 2	NOTE
088F	687052-4	STRAIN RELIEF		1		100		
089	265995-6	TAPPING SCREW 4X18		2		100		
090A	631728-5	CONTROLLER		1		100		
090B	631729-3	CONTROLLER		1		100		
090C	631728-5	CONTROLLER		1		100		
090D	631729-3	CONTROLLER		1		100		
090E	631728-5	CONTROLLER		1		100		
090F	631729-3	CONTROLLER		1		100		
091	213261-5	O RING 17		1		100		
092	418905-4	DIAL		1		100		
093A	645190-8	NOISE SUPPRESSOR		1		100		
093B	645185-1	NOISE SUPPRESSOR		1		100		
093C	645190-8	NOISE SUPPRESSOR		1		100		
093D	645185-1	NOISE SUPPRESSOR		1		100		
093E	645190-8	NOISE SUPPRESSOR		1		100		
093F	645185-1	NOISE SUPPRESSOR		1		100		
094	419622-9	SWITCH LEVER		1		100		
095	651922-3	SWITCH TG71B		1		100		
096	345745-6	LINK PLATE		1		100		
097	419629-5	LOCK OFF BUTTON		1		100		
098	233089-5	COMPRESSION SPRING 12		1		100		
099	265995-6	TAPPING SCREW 4X18		6		100		
100	911273-9	PAN HEAD SCREW M5X50		1		100		
101	862913-1	SP6000 NAME PLATE		1	*	100		
101-1	862913-1	SP6000 NAME PLATE	O	1	*	100		
101-2	862913-1	SP6000 NAME PLATE	O	1	*	100		
101-3	862913-1	SP6000 NAME PLATE	O	1		100		
102	188197-6	HANDLE SET		1		100		
D10		INC. 55						
103A	695228-9	POWER SUPPLY CORD 1.5-2-4.0		1		100		
103B	692502-6	POWER SUPPLY CORD 1.0-2-4.0		1		100		
103C	695228-9	POWER SUPPLY CORD 1.5-2-4.0		1		100		
103D	692502-6	POWER SUPPLY CORD 1.0-2-4.0		1		100		
103E	695228-9	POWER SUPPLY CORD 1.5-2-4.0		1		100		
103F	692502-6	POWER SUPPLY CORD 1.0-2-4.0		1		100		
104A	682505-8	CORD GUARD 10-90		1		100		
104B	682540-6	CORD GUARD 9.3-90		1		100		
104C	682505-8	CORD GUARD 10-90		1		100		
104D	682540-6	CORD GUARD 9.3-90		1		100		
104E	682505-8	CORD GUARD 10-90		1		100		
104F	682540-6	CORD GUARD 9.3-90		1		100		
105	419626-1	BAFFLE PLATE		1		100		
106	266044-2	TAPPING SCREW 5X60		2		100		

Please order the parts with part number.

Print Date 11/3/2019

Model No.SP6000 PLUNGE CUT CIRCULAR SAW 165MM

Item	Parts No.	Description	I/C	QTY	New/Old	Opt. 1	Opt. 2	NOTE
107A	525741-2	FIELD ASS'Y 115V		1		152		
107B	525743-8	FIELD ASS'Y 220-240V		1		152		
107C	525741-2	FIELD ASS'Y 115V		1		152		
107D	525743-8	FIELD ASS'Y 220-240V		1		152		
107E	525741-2	FIELD ASS'Y 115V		1		152		
107F	525743-8	FIELD ASS'Y 220-240V		1		152		
C10	654020-2	RING TERMINAL		2		100		
C20	654501-6	CONNECTOR P-1.25		2		100		
108	158094-0	MOTOR HOUSING COMPLETE		1		100		
C10	643708-9	BRUSH HOLDER 5-11		2		100		
109	911273-9	PAN HEAD SCREW M5X50		4		100		
110	191963-2	CARBON BRUSH CB-303		1		100		
111	643750-0	BRUSH HOLDER CAP 7-11		2		100		
112	267781-1	WAVE WASHER 7		1		100		
113	231372-4	COMPRESSION SPRING 5		1		100		
114A	233025-1	COMPRESSION SPRING 2		1	*	100		
114B	233025-1	COMPRESSION SPRING 2		1	*	100		
114C	233025-1	COMPRESSION SPRING 2		1	*	100		
114D	233025-1	COMPRESSION SPRING 2		1	*	100		
115	421479-6	RUBBER RING 19		1		100		
116	424047-4	PACKING		1		100		
117	424050-5	SPONGE		1		100		
118	443137-4	FELT		1		100		
119A	450118-1	BLOCK		1	*	100		
119B	450118-1	BLOCK		1	*	100		
119C	450118-1	BLOCK		1	*	100		
119D	450118-1	BLOCK		1	*	100		
120A	450119-9	LEVER		1	*	100		
120B	450119-9	LEVER		1	*	100		
120C	450119-9	LEVER		1	*	100		
120D	450119-9	LEVER		1	*	100		
121A	911013-5	PAN HEAD SCREW M3X10		1	*	100		
121B	911013-5	PAN HEAD SCREW M3X10		1	*	100		
121C	911013-5	PAN HEAD SCREW M3X10		1	*	100		
121D	911013-5	PAN HEAD SCREW M3X10		1	*	100		
122	213045-1	O-RING 6		2	*	155		
A01	B-07353	TCT SAW BLADE 165X20X48T		1				
A02	783203-8	HEX. WRENCH 5		1				
A03A	165447-6	SUB BASE		1	*			
A03B	165447-6	SUB BASE		1	*			
A03C	824783-6	SYSTAINER		1				
C10	453471-4	HANDLE		1		100		
C20	453472-2	LATCH		4		100		
A03D	824783-6	SYSTAINER		1				
C10	453471-4	HANDLE		1		100		

Please order the parts with part number.

Print Date 11/3/2019

Model No.SP6000 PLUNGE CUT CIRCULAR SAW 165MM

Item	Parts No.	Description	I/C	QTY	New/Old	Opt. 1	Opt. 2	NOTE
C20	453472-2	LATCH		4		100		
A03E	821552-6	CONNECTOR PLASTIC CASE (TYPE4)		1				
C10	453974-8	LATCH		4		100		
A03F	821552-6	CONNECTOR PLASTIC CASE (TYPE4)		1				
C10	453974-8	LATCH		4		100		
A04C	806031-5	SP6000K PLASTIC CASE LABEL		1				
A04D	804869-2	SP6000K PLASTIC CASE LABEL		1				
A04E	800V02-6	SP6000J INDICATION LABEL		1	*			
A04F	800V02-6	SP6000J INDICATION LABEL		1	*			
A04-1E	805K60-1	SP6000J INDICATION LABEL	<	1				
A04-1F	805K60-1	SP6000J INDICATION LABEL	<	1				
A05E	800V03-4	SP6000J PLASTIC CASE LABEL		2				
A05F	800V03-4	SP6000J PLASTIC CASE LABEL		2				
A07E	837804-5	INNER TRAY		1	*			
A07F	837804-5	INNER TRAY		1	*			
A07-1E	837945-7	INNER TRAY	<	1	*			
A07-1F	837945-7	INNER TRAY	<	1	*			
A07-2E	838390-9	INNER TRAY	<	1				
A07-2F	838390-9	INNER TRAY	<	1				
E01A	655030-2	PLUG UK TYPE 16A-4H/110V		1				
E01C	655030-2	PLUG UK TYPE 16A-4H/110V		1				
E01E	655030-2	PLUG UK TYPE 16A-4H/110V		1				
E02A	654091-9	NON-INSULATED TERMINAL1.25-2AF		2		100		
E02C	654091-9	NON-INSULATED TERMINAL1.25-2AF		2		100		
E02E	654091-9	NON-INSULATED TERMINAL1.25-2AF		2		100		

Please order the parts with part number.

Print Date 11/3/2019